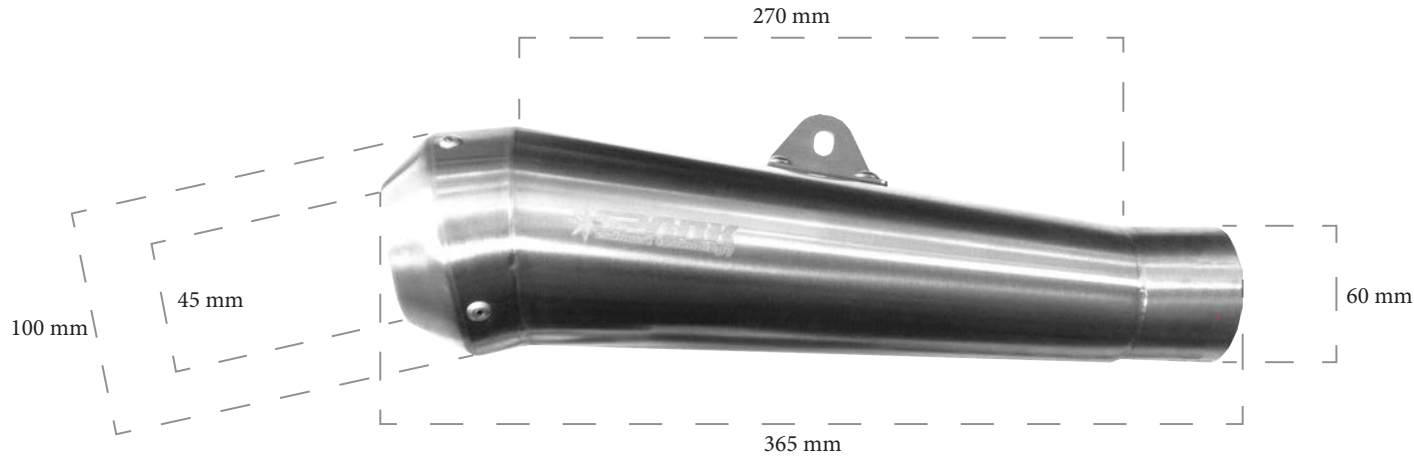


SPARK
exhaust technology

- Custom works -
SPARK
- EST 2015 -



UNIVERSAL SILENCER GP STYLE



G00SI041

*GP STYLE Racing
stainless steel
db killer included
(left or right)*

UNIVERSAL SILENCER CLASSIC



G00SI071

*CLASSIC stainless steel
db killer included (left or right)*



UNIVERSAL SILENCER

MEGAPHONE



Ø 60
G00SI06IP

stainless steel polished
db killer included
(left or right)



Ø 60

G00SI06IM

stainless steel mat
db killer included
(left or right)



Ø 60

G00SI06D

dark style
db killer included
(left or right)

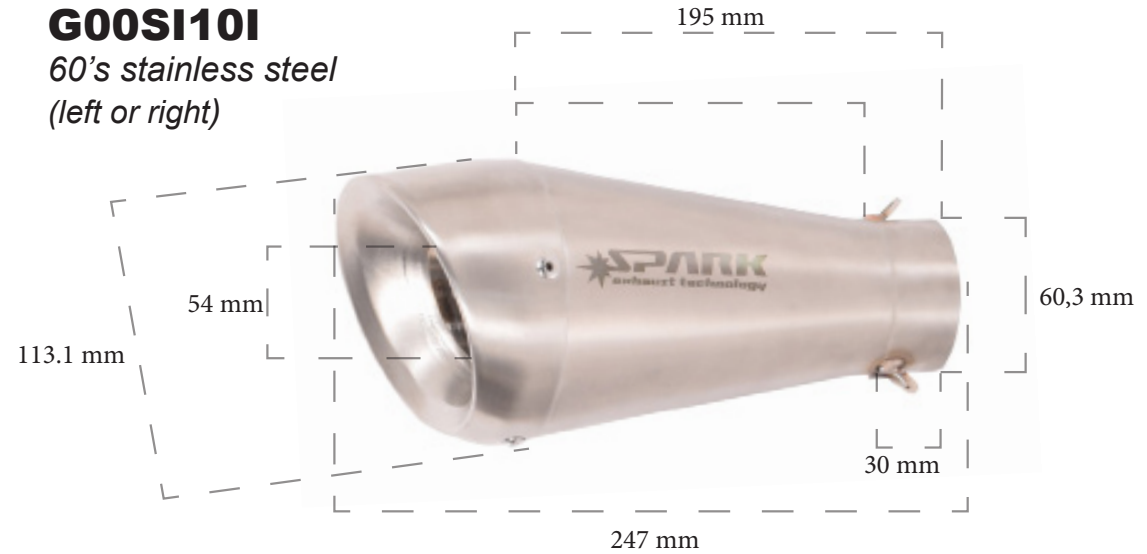


UNIVERSAL SILENCER 60'S



G00SI10I

60's stainless steel
(left or right)



UNIVERSAL SILENCER MOTO GP



G00SI08T

G00SI08I

MOTO GP (right)

titanium

stainless steel



G00SI09T

MOTO GP (right) titanium



60 mm

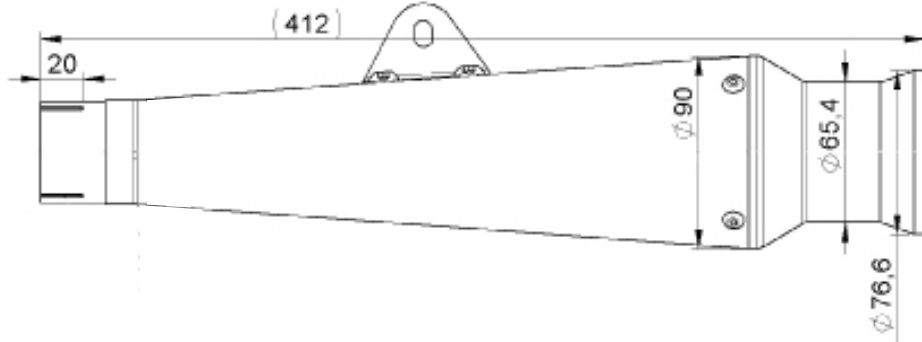


G00SI11T

MOTO GP titanium (left or right)



UNIVERSAL SILENCER TRUMPET

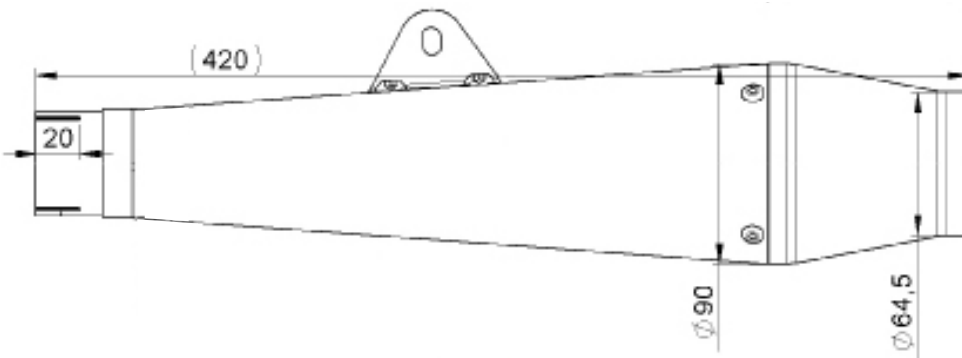


$\phi 45$

G00SI12I
TRUMPET
stainless steel
(left or right)

- Custom works -
SPARK
- EST^o 2015 -

UNIVERSAL SILENCER SINFONIA



$\phi 45$

G00SI13I
SINFONIA
stainless steel
(left or right)

- Custom works -
SPARK
- EST^o 2015 -

UNIVERSAL SILENCER WELDING



G00SI161
WELDING
stainless steel
(left or right)

UNIVERSAL SILENCER HOT ROD



G00SI181
HOT ROD
stainless steel
(left)

G00SI191
HOT ROD
stainless steel
(right)

UNIVERSAL SILENCER FORCE



G00SI20I **1.300mm** **Ø54**

G00SI21I **1.300mm** **Ø60**

G00SI22I **1.350mm** **Ø54**

G00SI23I **1.350mm** **Ø60**

*FORCE stainless steel
(left or right)*

UNIVERSAL SILENCER KONIX



G00SI24I **1.300mm** **Ø54**

G00SI25I **1.300mm** **Ø60**

*KONIX stainless steel
(left or right)*

UNIVERSAL SILENCER

NEW 2018



G00SI26T

BMW R 100 (87-95)

E3 **GBM0901** _ _ _
MEGAPHONE Slip-On



E3 **GBM0902** _ _ _
TRUMPET Slip-On



E3 **GBM0903** _ _ _
SINFONIA Slip-On



E3

9

GBM0802I
GBM0802D
GBM0802T
GBM0802IOM
GBM0802DOM
GBM0802TOM

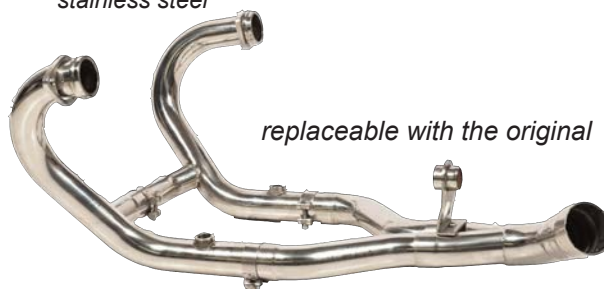
EVO 5 Slip-on

it fits both with original and Spark collectors



GBM8509

MANIFOLD to eliminate catalyst stainless steel



replaceable with the original

GBM0803D

GBM0803T

Double MotoGP Slip-on



it fits both with original and Spark collectors



E3

9

GBM0801I
GBM0801IOM

70's Slip-on



it fits both with original and Spark collectors

DUCATI SCRAMBLER



E3 **GDU2101I**
GDU2101IOM
CLASSIC doppio Slip-on



DUCATI SCRAMBLER



E3 **GDU2102I**
GDU2102D
GDU2102T
GDU2102C
GDU2102IOM
GDU2102DOM
GDU2102TOM
GDU2102COM
EVO 5 Slip-on



DUCATI | SCRAMBLER



GDU2103I
60's Slip-on



GDU2104I
Gp Style Slip-on



TRIUMPH | **SCRAMBLER (05-15)**
Type 986MG2



GTR8802I
GTR8802IOM
FULL SYSTEM



*The exhaust can be installed on BONNEVILLE and THRUXTON by adding mounting kit **SKIT067**. In order to install the exhaust on such models you have to replace the side fairing and check the position of the brake pump*

TRIUMPH | **BONNEVILLE SE (05-15)** | **SPIRIT** | **THRUXTON**
Type 986MF | Type 986ME2



GTR0201I
GTR0201IOM
70'S Slip-on



TRIUMPH

BONNEVILLE T100 (05-15)
Type 986MF



GTR0207D
GTR0207I
MEGAPHONE Slip-on



E3 **GTR0204I**
GTR0204IOM
70'S Slip-on



GTR0205I
TRUMPET Slip-on



GTR0206I
SINFONIA Slip-on



TRIUMPH **BONNEVILLE T120**



GTR8804I
FULL SYSTEM
2in2 HOT ROAD Evolution

GTR0209 _ _ _
SINFONIA Slip-on



GTR0208 _ _ _
TRUMPET Slip-on



YAMAHA | SR 400 (13-16)

GYA1302I

CLASSIC Slip-on





98 dB

Stainless steel



PIPE COMPONENTS

PIPE THICKNESS 1 mm, scotch brite finishing

	Ø40	Ø45	Ø50	Ø54	Ø60
 BENDED PIPE 30°	G 9101	G 9104	G 9115	G 9107	G 9110
 BENDED PIPE 45°	G 9102	G 9105	G 9114	G 9108	G 9111
 BENDED PIPE 90°	G 9103	G 9106	G 9113	G 9109	G 9112
 PIPE 50 CM	G 9001	G 9002	G 9005	G 9003	G 9004



SGMA14
CONIC ADAPTER
60mm-->40mm
LENGHT 110 mm



G95LA006 (D.63,5)
G95LA009 (D.53,5)
G95LA007 (D.47,5)
G95LA003 (D.43,5)



SGATT104



SGATT273



TAPPO007
PLUG M 18x1,5 H=10mm
TAPPO017
PLUG M 12X1,25 H=9mm



MOLLA01 83mm
MOLLA02 63mm
(Spring)



SGATT068
(hook for spring)

Presso il nostro Atelier, realizziamo collettori e impianti di scarico su misura.

Per info e prenotazioni +39 0376 265228, info@spark.it - Atelier: Strada Dosso Del Corso 2 Mantova

Spark by VECCHI S.R.L.

www.spark.it - info@spark.it
+39 0376/265228

SPARK
exhaust technology
PRODOTTO IN ITALIA