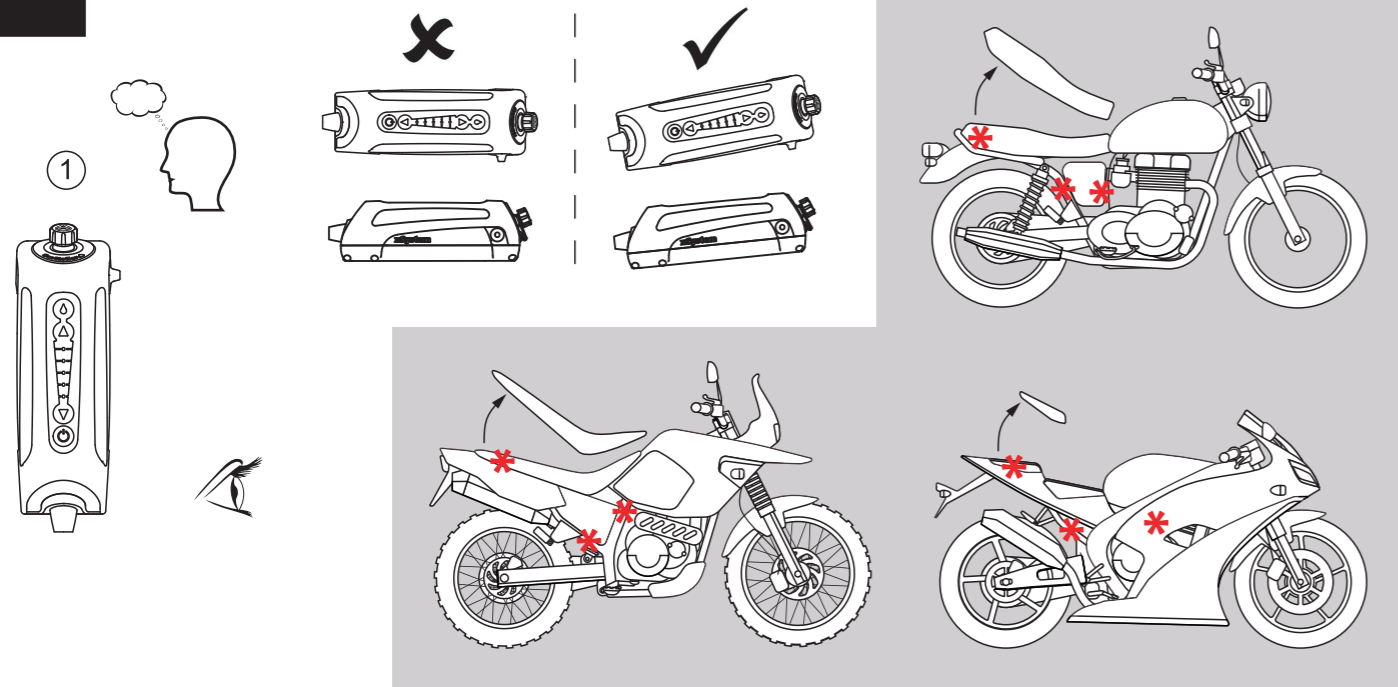
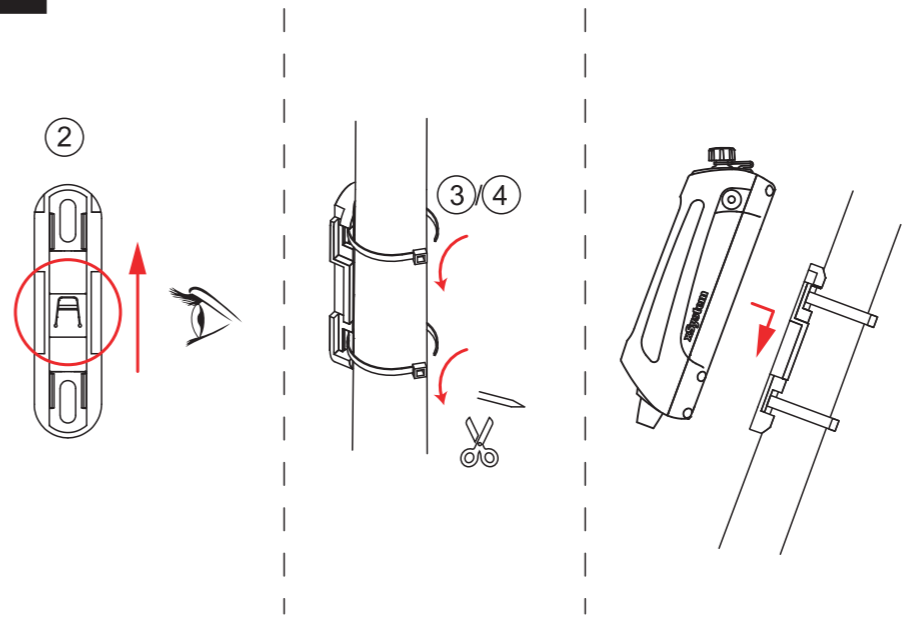


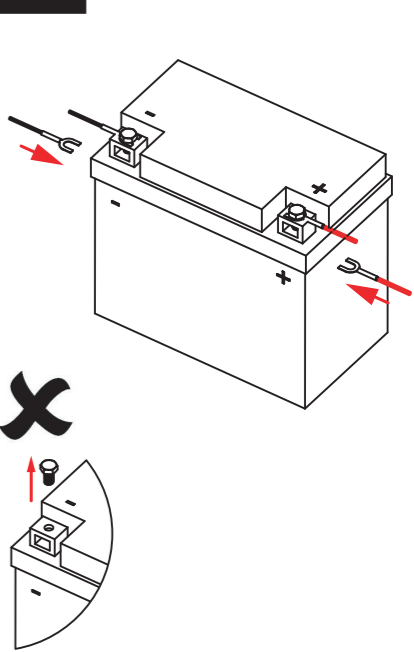
1



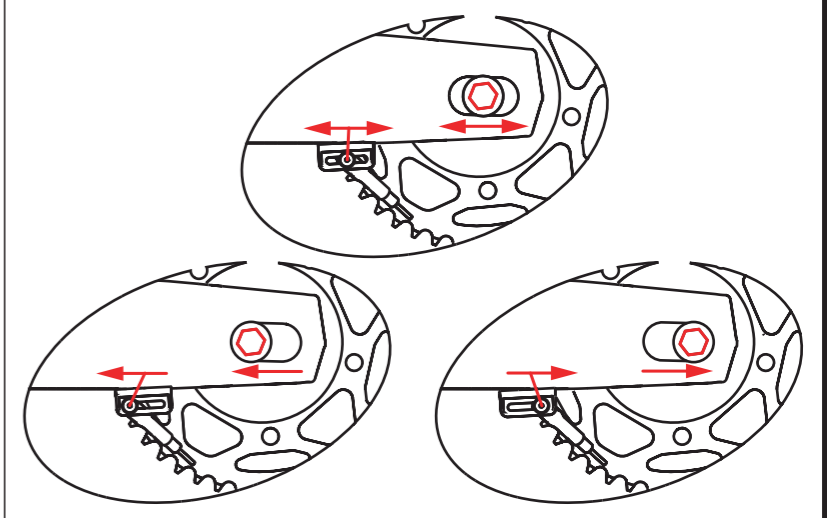
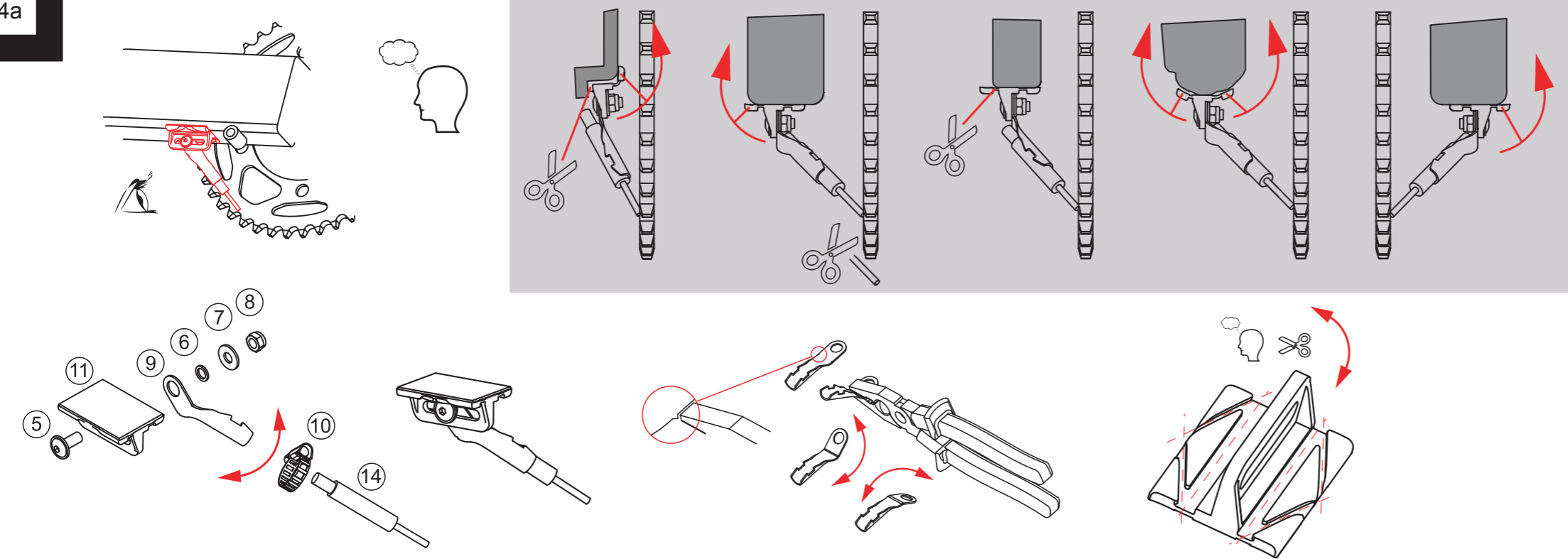
2



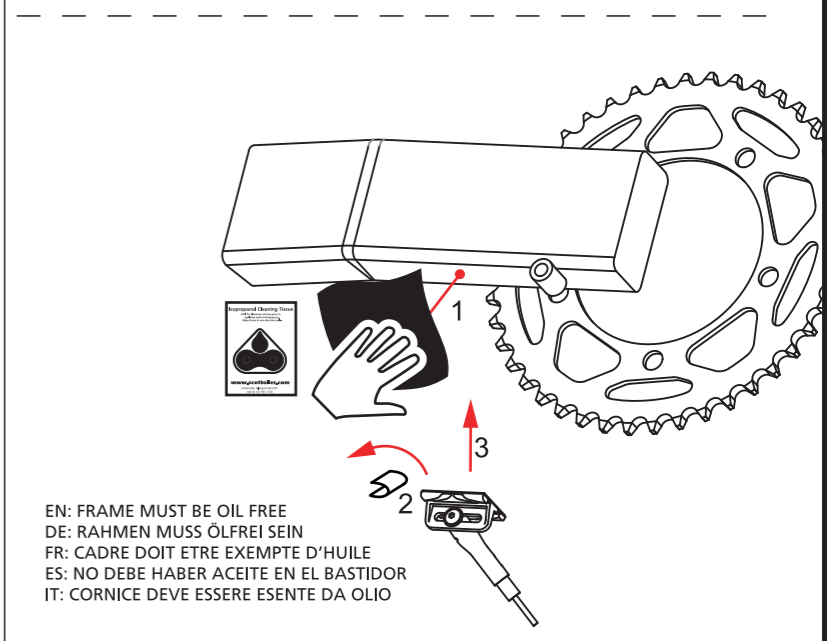
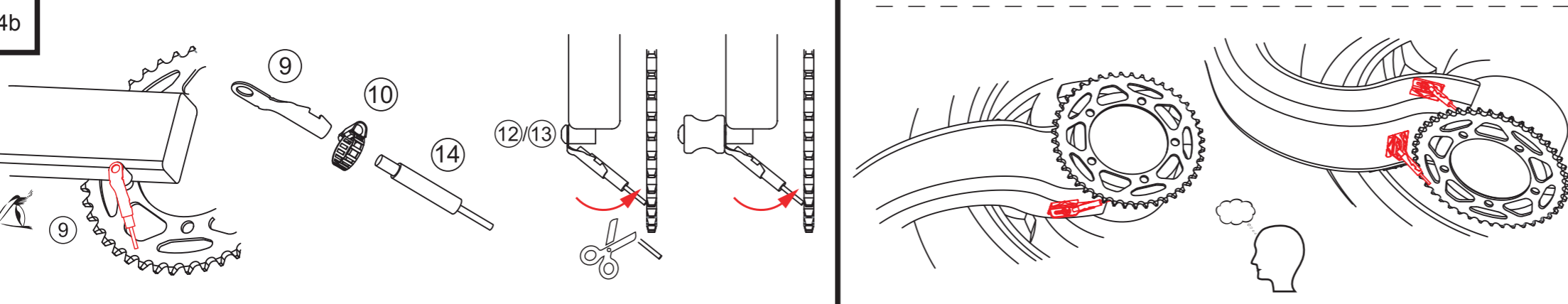
3



4a

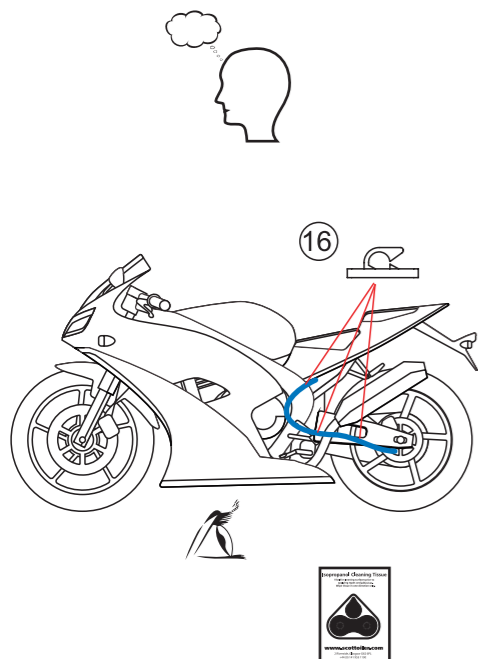


4b



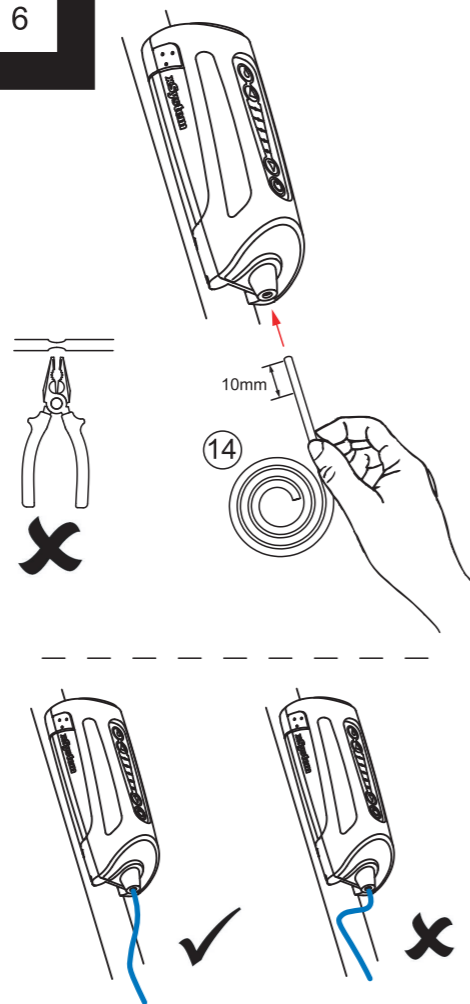
EN: FRAME MUST BE OIL FREE
 DE: RAHMEN MUSS ÖLFREI SEIN
 FR: CADRE DOIT ETRE EXEMPTÉ D'HUILE
 ES: NO DEBE HABER ACEITE EN EL BASTIDOR
 IT: CORNICE DEVE ESSERE ESENTE DA OLIO

5

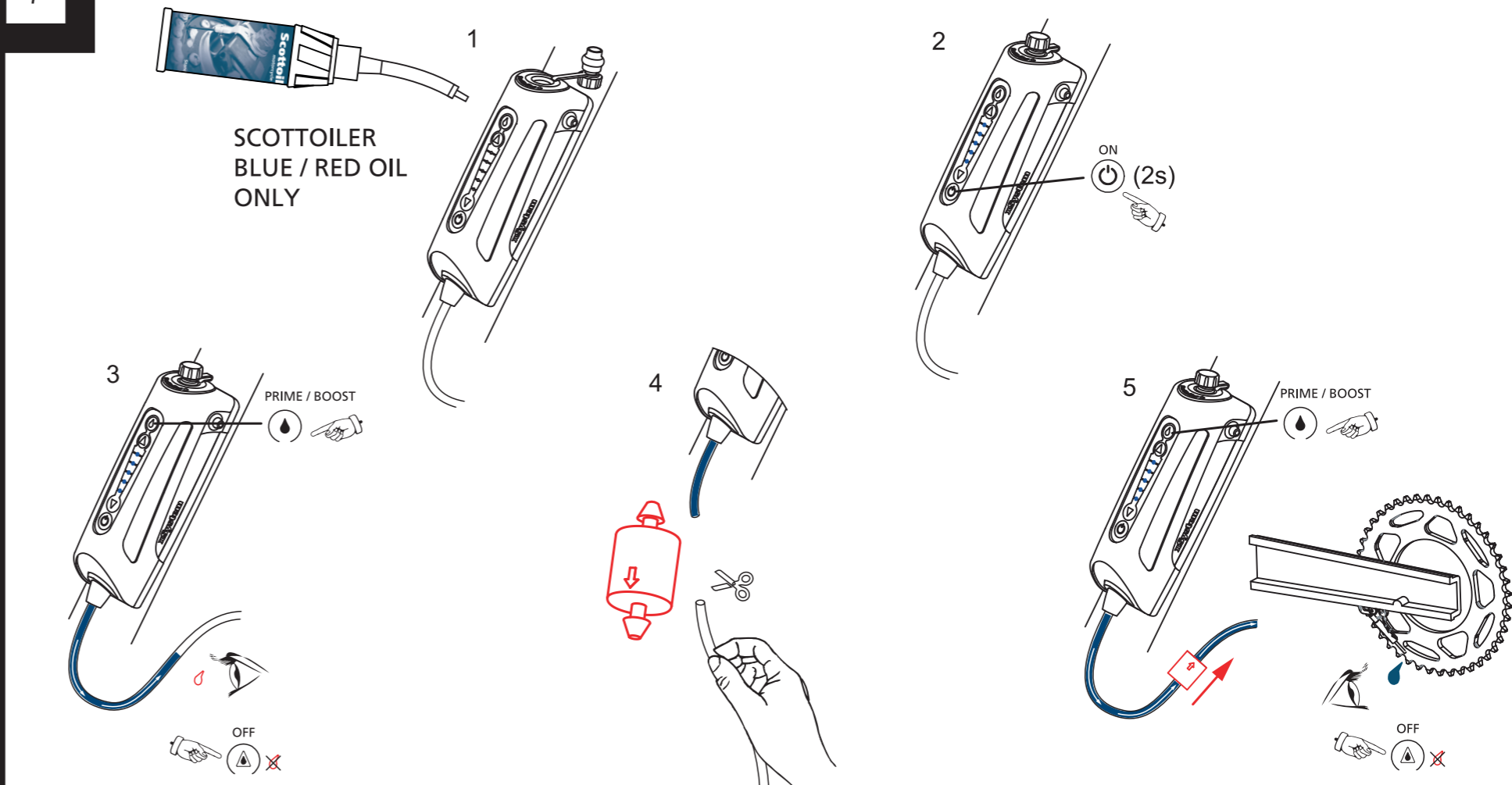


EN: FRAME MUST BE OIL FREE
 DE: RAHMEN MUSS ÖLFREI SEIN
 FR: CADRE DOIT ETRE EXEMPTÉ D'HUILE
 ES: NO DEBE HABER ACEITE EN EL BASTIDOR
 IT: CORNICE DEVE ESSERE ESENTE DA OLIO

6

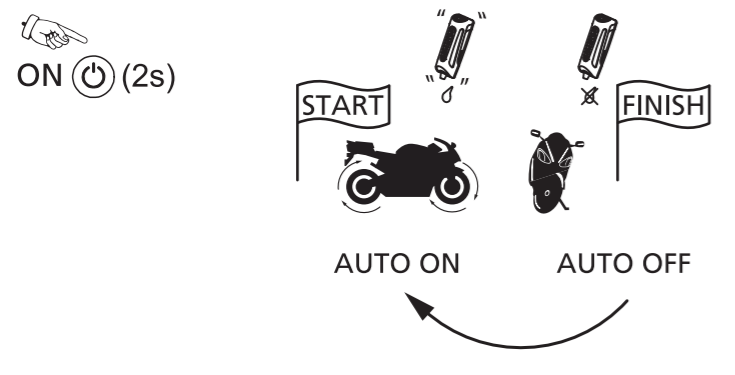


7

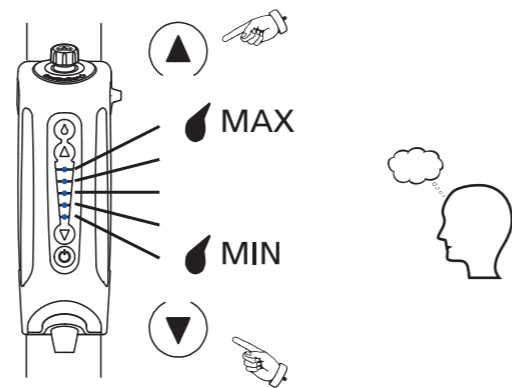


8

AUTO ON/OFF



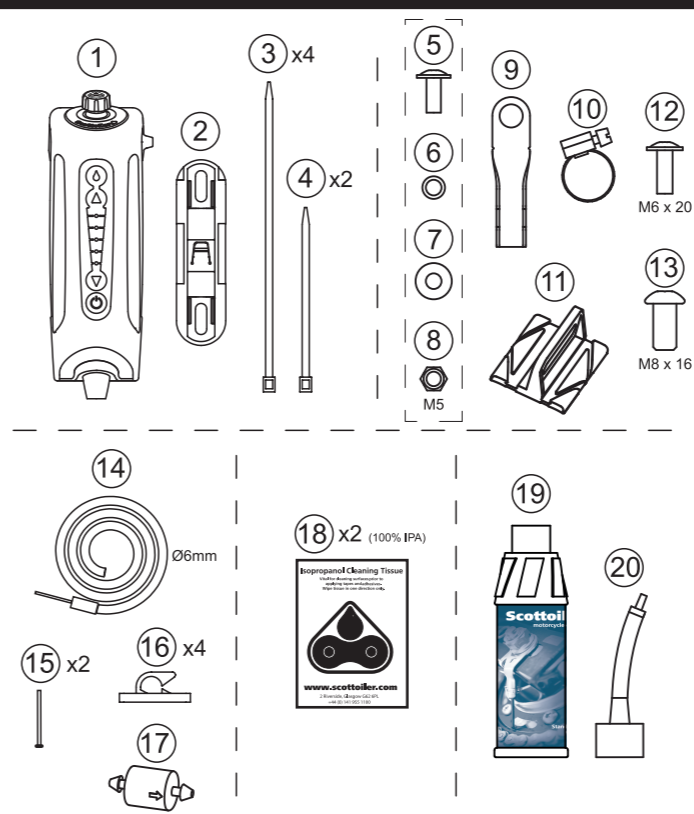
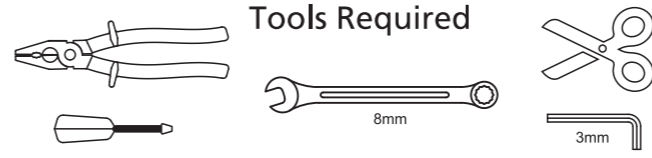
MANUAL OFF



SCOTTOILER
 BLUE / RED OIL
 ONLY



Tools Required



XSystem
 motorcycle chain oiler

www.scottoiler.com
 SCOTTOILER

register your product
www.scottoiler.com/warranty

installation videos
www.scottoiler.com/xsystem/videos

installation guides
www.scottoiler.com/mybike

