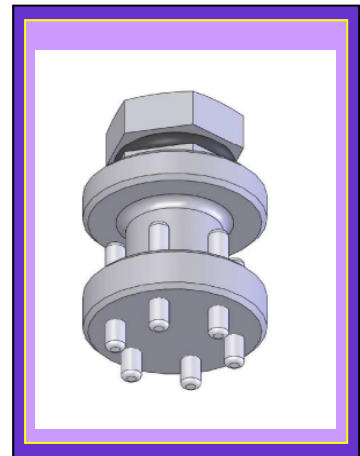
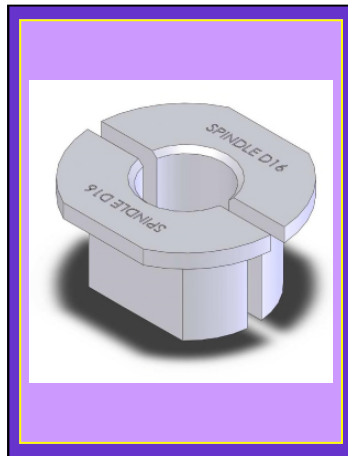
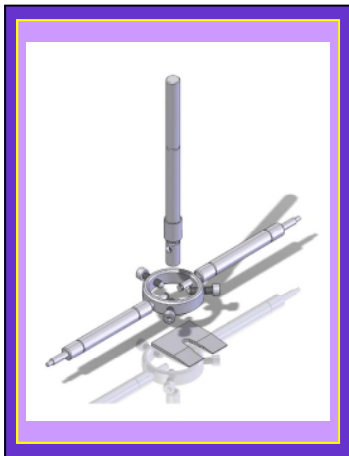




Tools





Contents

This is the Hyperpro Tool overview.

It shows the full program of tools Hyperpro has available.

Prices can be found in the Hyperpro pricelist

If you would like to have more information on a tool, or would like to order a tool, please contact:

orders@hyperpro.com

Hyperpro produces it's tool to the highest quality standards, which provides you the quality tools to work with on the given suspension products.

Note:

Please make sure you use the necessary safety measures to prevent any personal harm.

If you are not sure, please consult a trained professional.

Wrongly used tools can cause serious injuries!

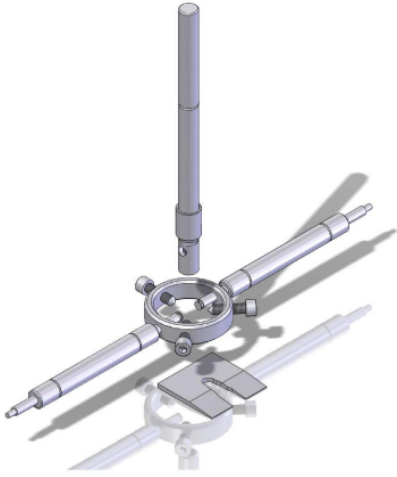




Tools

HP-T01

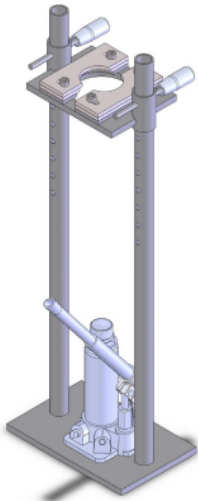
Tools that enable you to remove the spring in a upside-down frontfork.



HP-T02

Spring compressor for all shock springs.

Heavy duty version of the spring compression tool. Suitable for suspension workshops and/or dealers who do a lot of service work.



HP-T11

Discontinued, replaced by HP-T60





Tools

HP-T12



Shock overhaul tool kit.

All tools necessary to overhaul a Hyperpro shockabsorber

HP-T16

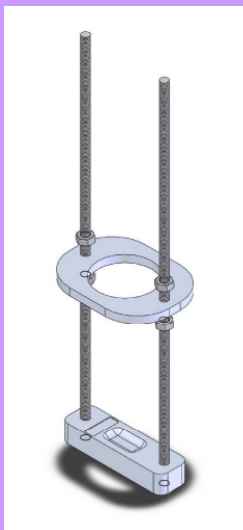


Shock overhaul parts kit.

A collection of all parts necessary to overhaul a Hyperpro shockabsorber

If you order this box, you can overhaul each Hyperpro shock type and have the needed parts for the overhaul on stock.

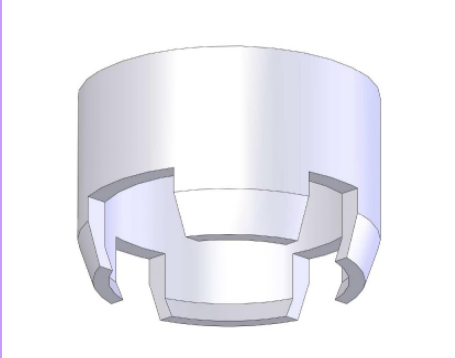
HP-T25



Spring compressor for all shock springs.

The simple and economic version of the HP-T02

HP-T26



BMW & Triumph spring removal tool for Shock spring removal tool kit nr HP-T02 and HP-T25

This tool enables you to remove the circlip which holds the Hydraulic preload adjuster and/or the spring.

HP-T30



Vacuum pump to fill shockabsorbers

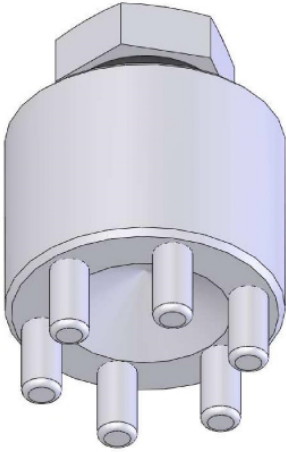
HP-T31



Hydraulic preload knob adjuster.

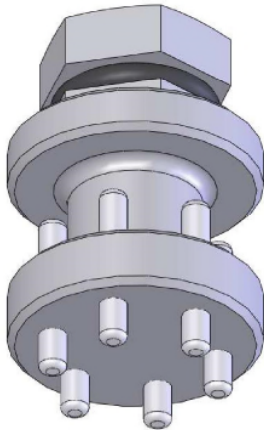
With this tool, you can rotate the HPA knob with the use of a socket wrench

HP-T33



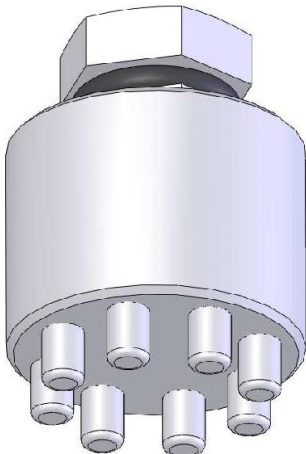
Tool Compression adjuster.

HP-T34

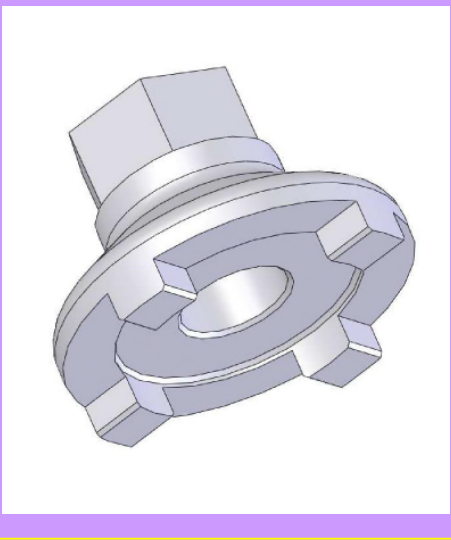


Tool rebound aduster and emulsion bolt

HP-T35



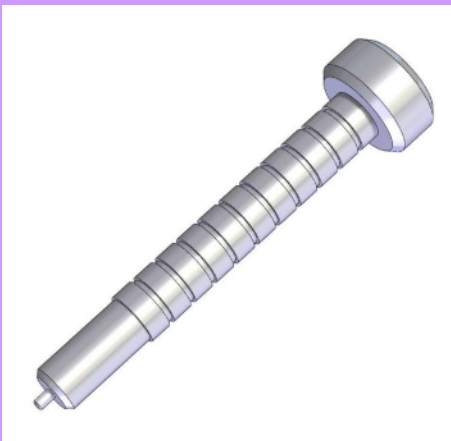
Tool banjo bolt



HP-T36

Frontfork tool.

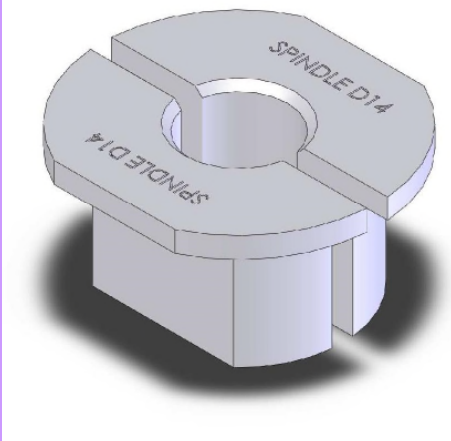
With this tool you can unscrew closed cartridges inside a frontfork.



HP-T37

Bladder removal tool

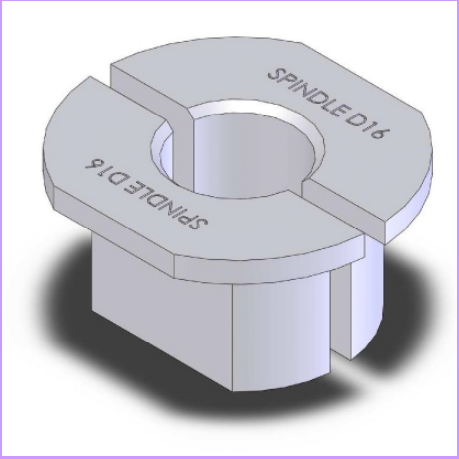
Remove the bladder of a shockabsorber with this tool



HP-T38-14

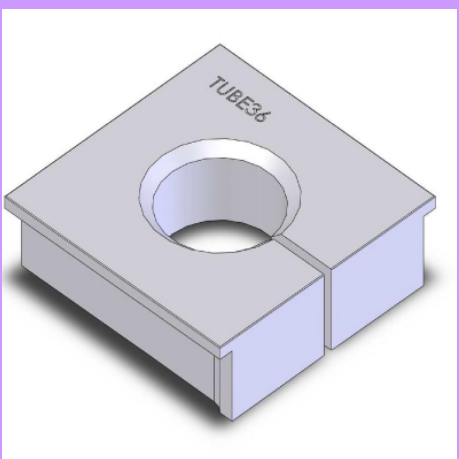
Spindle clamp tool $\varnothing=14\text{mm}$

HP-T38-16



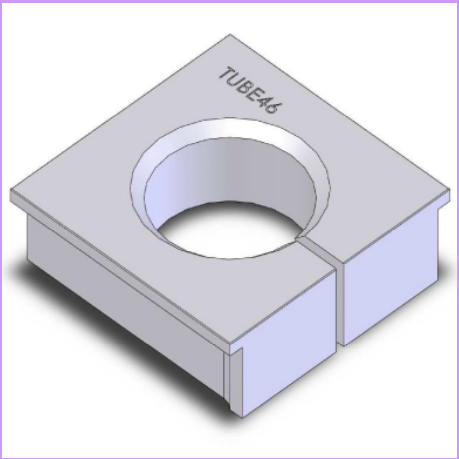
Spindle clamp tool $\varnothing=16\text{mm}$

HP-T39-36



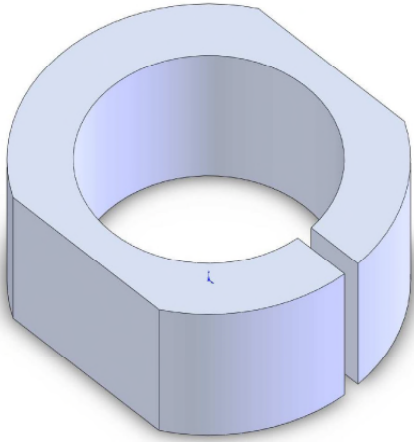
Tube clamp tool 36mm

HP-T39-46



Clamp tool tube 46mm

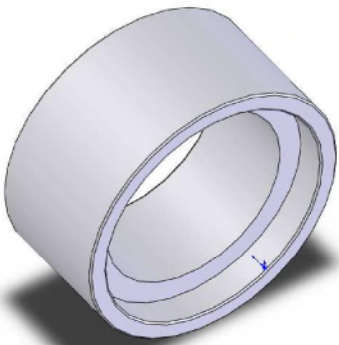
HP-T40-xx



Forkleg clamp tool.

Ø24mm = HP-T40-24
Ø28mm = HP-T40-28
Ø29mm = HP-T40-29
Ø41mm = HP-T40-41
Ø43mm = HP-T40-43
Ø48mm = HP-T40-48
Ø49mm = HP-T40-49
Ø50mm = HP-T40-50
Ø54mm = HP-T40-54

HP-T42



Dirt scraper "press-on" tool.

HP-T45



Adjustable pin wrench



HP-T46

Nitrogen filling needle



HP-T47

Compression HS/LS housing clamp



HP-T48

Vice clamp nylon



Tools

HP-T50

Steeringdamper endcap tool



HP-T51-1

Steeringdamper adjustment house tool



HP-T52-1

Steeringdamper tool endcap/seperation piston





HP-T53

Shock bearing house "press-on" tool



HP-T54

Knipex pliers wrench 300mm



HP-T55

Knipex pliers wrench 250mm



HP-T56

Knipex pliers wrench 180mm



HP-T57

Fork tool Ducati Scrambler



HP-T58

Shock nitrogen filing tool basic (without pressure gauge)



Tools

N.A.

HP-T59

Cartridge tool Hyperpro H43 & H49 fork

HP-T60

Steeringdamper overhaul tool



HP-T